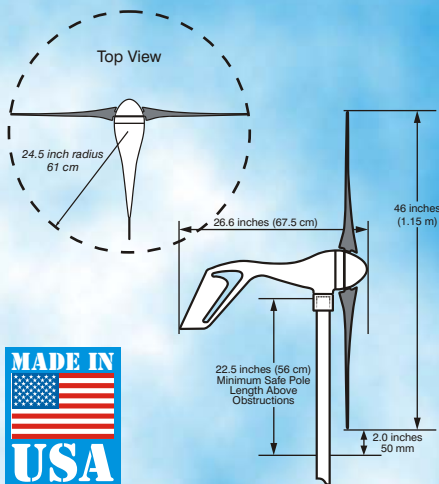


AIR X marine SPECIFICATIONS

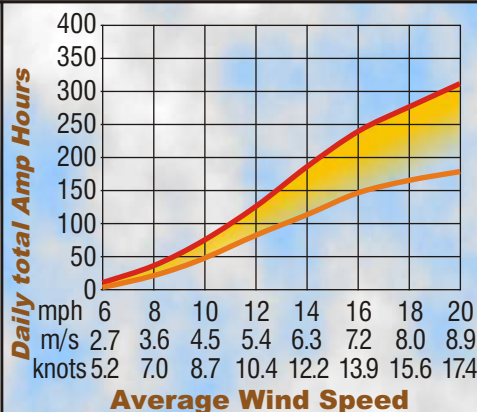
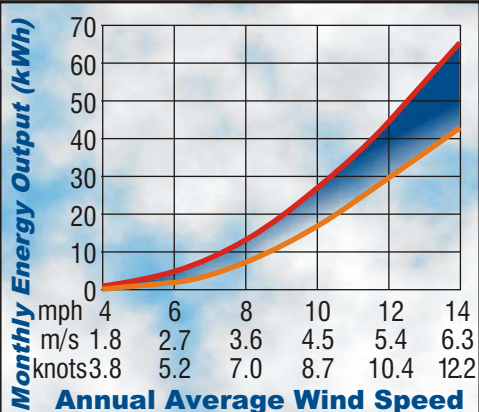
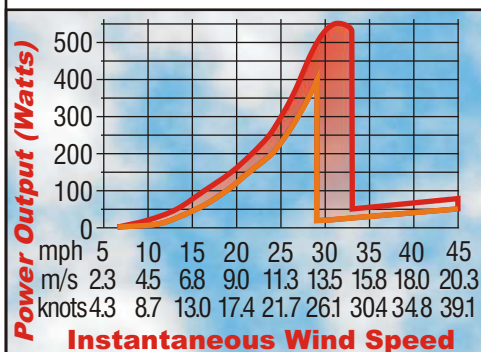


Sphere of Operation



Rotor Diameter:	46 inches (1.15m)
Weight:	13 lbs (5.85kg) (Shipping: 27"x15"x9" (686x38x228mm) / 17 lbs (7.7kg))
Mount:	1.5" schedule 40 pipe (1.9" OD, 48 mm)
Start-up wind speed:	7 mph (3.13 m/s)
Voltage:	12 and 24 VDC (36 and 48 VDC available soon)
Rated Power:	400 watts at 28mph (12.5m/s)
Controller:	Microprocessor-based smart internal regulator with Peak Power Tracking
Blades:	Carbon Fiber Composite
Body:	Cast aluminum (Air-X Marine is powder coated for corrosion protection)
Energy Production:	38 kWh/mo @12mph (5.4m/s)
Warranty:	3 Year Limited Warranty
Survival Wind speed	110 mph (49.2 m/s)
Over-speed Protection:	Electronic torque control
Battery Bank Minimum	100 amp hours @ 12V, 50 amp hours @ 24V

Performance Curves



— Top Line - Non-Turbulent Site
 — Bottom Line - Turbulent Site

(928) 779-9463 Fax (928) 779-1485

Southwest Windpower

Renewable Energy Made Simple

2131 N. First Street
 Flagstaff, AZ 86004 - USA

Rayleigh Distribution Curve k=2

www.windenergy.com